

Prop and Scenery Lights, LLC

[www.propscenerylights.com](http://www.propscenerylights.com)

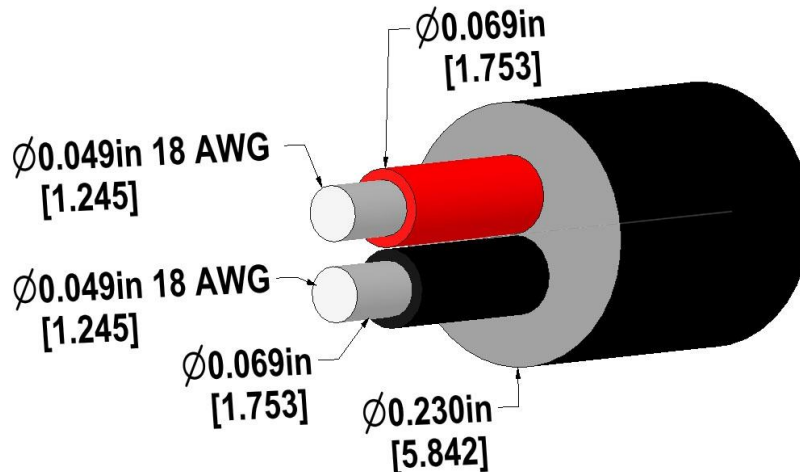
Specification Sheet

RBC (Red Black Pair Cable)

Low Voltage Control and Power Interconnect

2 conductor 18 Awg, with heavy duty jacket

P/N: RBC-18AWG-UL2464-USA



### Specifications:

- Awg: 18 (2 Semi-Rigid PVC insulated conductors red and black, UL1061), tin plated copper 41 strands (18 AWG is printed on cable)
- Amp: 10 Max.
- Volts: 300 max.
- System volts: 12 – 24 DC Typical.
- Jacket: Black PVC (heavy duty, 0.045" nominal wall thickness, 1.5X the thickness of the UL spec.). The jacket has a fair UV (ultraviolet) resistance.
- Flammability: VW-1 (VW-1 is printed on cable)
- Certifications: UL component (UL file number and UL 2464 are printed on cable).
- Maximum operating temperature: 80 °C (176°F) Dry (80 °C is printed on cable)
- Composition: Rohs / Reach (Rohs/Reach is printed on cable)
- COO, Country of Origin: USA (Made in USA is printed on the cable)

### UL2464 (AWM 2464)

- Internal wiring or external interconnection of electronic equipment.

### Dimensions:

- O.D. of jacket insulation: 5.85mm +0.50mm / -0.25mm (0.230"+0.02"/-0.01")
- O.D. of conductor insulation: 1.75mm +0.25mm / -0.05mm (0.069"+0.01"/-0.002")



Prop and Scenery Lights, LLC  
P/N: RBC-18AWG-UL2464-USA  
Low Voltage Control and Power Interconnect  
2 conductor Rev-A 02/28/20 Page 1 of 1